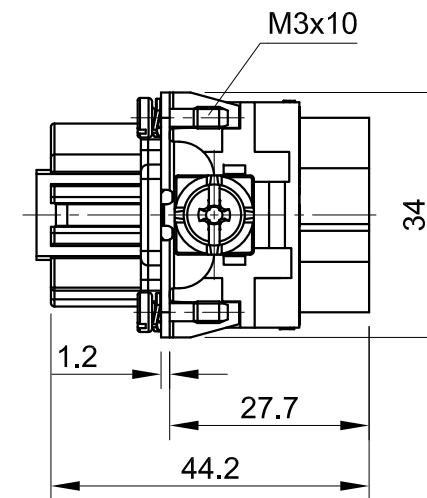
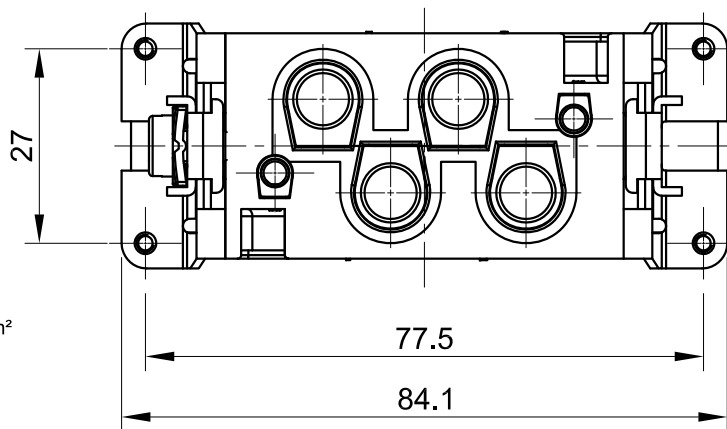


Technical data:

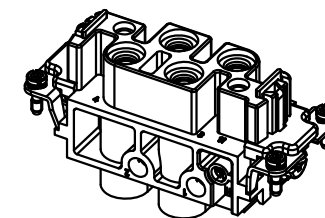
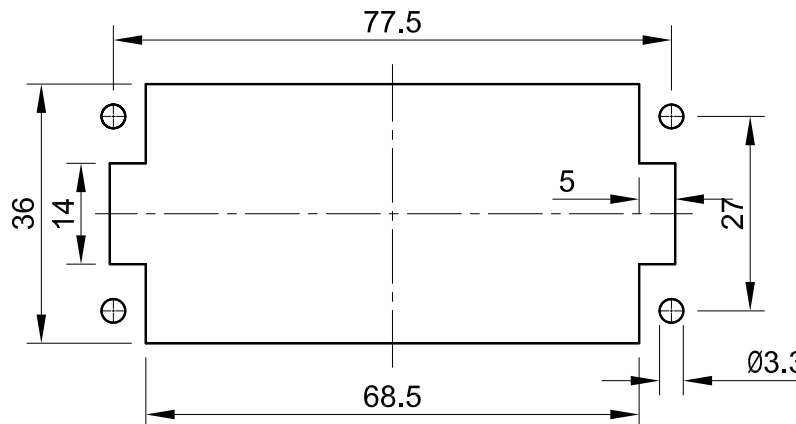
- No. of contact: 4
- Additional contacts: +2 signal contacts
- Termination method: Screw termination
- Gender: Female
- Size: B16
- Conductor cross-section: 1.5 ... 16 mm<sup>2</sup>
- Rated current: 80A
- Rated voltage: 830V
- Rated impulse voltage: 8kV
- Pollution degree: 3
- Rated current acc. to UL: 80A
- Rated voltage acc. to UL: 600V
- Conductor cross-section(signal): 0.5 ... 2.5 mm<sup>2</sup>
- Rated current(signal): 16A
- Rated voltage(signal): 400V
- Rated impulse voltage(signal): 6kV
- Pollution degree(signal): 3
- Rated current acc. to UL(signal): 16A
- Rated voltage acc. to UL(signal): 600V
- Insulation resistance:  $\geq 10^{10}\Omega$
- Contact resistance:  $\leq 0.3m\Omega$
- Contact resistance(signal area):  $\leq 1m\Omega$
- Limiting temperature: -40 ... +125°C
- Material(insert): Polycarbonate
- Color(insert): RAL 7032(pebble grey)
- Material(contacts): Copper alloy
- Stripping length: 14/7.5(signal) mm
- Tightening torque: 1.2Nm/1.5mm<sup>2</sup>,  
2Nm/2.5mm<sup>2</sup>,  
3Nm/(4-16)mm<sup>2</sup>,  
0.5Nm/signal,
- Mating cycles:  $\geq 500$
- Material flammability class acc. to UL94: V-0
- RoHS: Compliant
- Specifications: IEC61984, EN60664-1


技术数据:

- 针数: 4
- 额外插针: +2 信号端子
- 接线方式: 螺钉连接
- 公母类型: 母头
- 尺寸: B16
- 导体截面积: 1.5 ... 16 mm<sup>2</sup>
- 额定电流: 80A
- 额定电压: 830V
- 额定脉冲电压: 8kV
- 污染等级: 3
- 额定电流符合UL: 80A
- 额定电压符合UL: 600V
- 导体截面积(信号): 0.5 ... 2.5 mm<sup>2</sup>
- 额定电流(信号): 16A
- 额定电压(信号): 400V
- 额定脉冲电压(信号): 6kV
- 污染等级(信号): 3
- 额定电流符合UL(信号): 16A
- 额定电压符合UL(信号): 600V
- 绝缘阻抗:  $\geq 10^{10}\Omega$
- 接触电阻:  $\leq 0.3m\Omega$
- 接触电阻(信号区):  $\leq 1m\Omega$
- 极限温度: -40 ... +125°C
- 材料(插芯): 聚碳酸酯
- 颜色(插芯): RAL 7032(卵石灰)
- 材料(插针): 铜合金
- 剥线长度: 14/7.5(signal) mm
- 拧紧力矩: 1.2Nm/1.5mm<sup>2</sup>,  
2Nm/2.5mm<sup>2</sup>,  
3Nm/(4-16)mm<sup>2</sup>,  
0.5Nm/signal,
- 插拔次数:  $\geq 500$
- 材料阻燃性等级符合UL94: V-0
- RoHS: 符合豁免标准
- 规格: IEC61984, EN60664-1



Panel cut out  
面板开孔尺寸



 InKonn (Suzhou) Electric Technology Co., Ltd.	All Dimensions in mm Original Size DIN A4	Date 2019-6-5	Drawing No. TC2306570	Rev. A00	Scale 1:1
	Type Name IK-004/2-F	Part No. 10 37 006 1200	Created by Shuxu Huang	Checked by Yiyi Luo	Page 1/1